

## 4250/4251 Parts List

## Where Used

Item	*I/B	**F/B
(12) No. 10 Screws - 1" Length		✓
(4) Black, 1" Polypropylene Hold-Down Straps ( <i>pre-installed</i> )	✓	✓
(1) Bimini Top Canvas	✓	✓
(2) Universal Deck Hinges ( <i>pre-drilled</i> )		✓
(2) Stainless Steel Quick Release Pins with Lanyard ( <i>Attached to Top</i> )	✓	✓
(4) Eye Straps		✓
(1) Storage Boot	✓	✓

\*Inflatable Boat \*\*Fishing Boat

**Minimum Tools Needed:** Drill with 9/64" bit, a Phillips head screwdriver and pencil.

**Also helpful:** Tape measure or other measuring device.



Universal Deck Hinges



Eye Straps



No. 10 Screws

## How to Prolong the Life of Your Bimini Top

- Avoid letting water or snow stand on the top.
- Always travel with top in the stored position inside the storage boot.
- Allow bimini top to dry thoroughly before folding for storage.
- When properly installed, you can safely deploy and use your bimini top with a maximum operating speed of 35 MPH.

## Cleaning & Care Instructions

To keep your canvas looking its best, regularly brush off any loose dirt with a soft brush and rinse with lukewarm water (100° F maximum). To clean, a solution of lukewarm water and mild natural soap such as Ivory™ may be used. Rinse thoroughly and allow to air dry. The use of detergents is NOT recommended as it may diminish the water repellent finish on certain fabrics. Never machine wash, dry clean or iron the canvas. To spot clean stubborn soil or stains, a solution of 1/4 cup mild natural soap and 1 cup of bleach per gallon of lukewarm water may be used. Mist the soiled area and clean vigorously with a sponge, soft brush or clean towel. Rinse thoroughly and air dry. Always fold down and secure bimini top in the stored position when trailering your boat.

## Bimini Top Assembly Instructions for All Applications

Your new bimini top is fully enclosed in a sealed plastic sleeve. Remove the plastic sleeve and discard. All components are contained in the zippered storage boot with convenient carrying handle.

1. Unzip the storage boot, remove all components and set storage boot aside.
2. Open the canvas so that the underneath side (the side with the label) is facing up and the ends of the center bow sections are facing out.
3. Identify the long bow (has attached jaw slides, see photo below). Be sure that the screw heads on the jaw slides are FACING OUT, lock into place by depressing the internal spring button stop and sliding it into the tubing until it seats in the pre-drilled hole.
4. Assemble the short bows (without jaw slides) connecting as in Step 3.
5. Connect the assembled long bow to the assembled short bow. Remove the screws from the jaw slides on the long bow. Raise the legs of the long and short bows until they meet. Insert the inside eye ends on the short bow into the jaw slides on the long bow. The inside eye ends are designed to pivot slightly to ensure alignment into the jaw slide. Re-install the jaw slide screws and tighten.
6. Invert bimini top to the upright position. Your top is now ready to install!

## Mounting Bimini Top to Your Inflatable Boat

**NOTE:** Inflatable boat mounting hardware is sold separately.

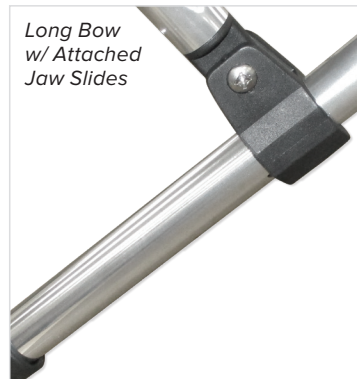
If you are replacing an existing bimini top, no mounting hardware should be needed. If this is a new installation, inflatable boat mounting kits for this bimini top are available. Check our website at [www.CarverCovers.com](http://www.CarverCovers.com) for details.

## Dismount Instructions for All Applications

Disengage the hold down straps from the eye straps and remove A-bow from the deck hinges by removing both quick release pins.

Disengage the legs of the long and short bow by depressing the internal spring button stop and pulling the metal apart. Wrap hold down straps around the straight legs. Wrap canvas around remaining metal center pieces, insert legs inside storage boot with canvas and zip up.

**CAUTION:** When knocking down your bimini top for storage, be cautious putting the legs and canvas into the boot to avoid possibility of tearing the canvas.

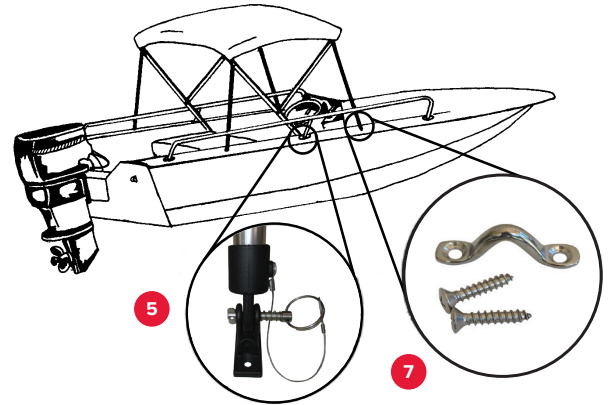


Long Bow w/ Attached Jaw Slides





Brace kits sold separately.



## Installing the Bimini Top on the Boat

*Prior to installation and drilling holes in your boat, always verify that the bimini top size ordered and received will fit within the mounting specs on your boat.*

**Step 1.** Assemble bimini top as per instructions on reverse page.

**Step 2.** The bimini top is now ready to be inverted and positioned on the boat. This is easier with two or more people, one to hold the top in place, while another marks the positions of the universal deck hinge(s) to be attached to the gunwale of the boat.

**Step 3.** Measure the marked position of the universal deck hinge(s) carefully to make sure they are exactly opposite each other. If not aligned properly, the top may become warped or damaged and unstable while in use, or look unbalanced.

**Step 4.** Use a drill with 9/64" bit to drill the pilot holes for the universal deck hinge(s). If drilling into fiberglass, hollow out the pilot hole to avoid cracking fiberglass when installing the screws. Secure the universal deck hinge(s) with 1", No. 10 sheet metal screws provided.

**Step 5.** Place top on boat, attaching the long bow

ends to the universal deck hinge(s) securely. Insert quick release pin (attached to eye end of top) into each universal deck hinge. You will remove these pins when removing the top.

**Step 6.** Raise top to desired upright position and adjust each hold-down strap. Straps should be adjusted to a length that attaches to the boat at approximately 45° to 60° angles to hold the top securely to boat.

**Step 7.** Mark the position of the eye straps on the gunwale of the boat, measuring to make sure they are exactly opposite each other on the sides of the boat. Use a drill with a 9/64" bit to drill the pilot holes for the eye straps. Be sure to hollow out the pilot holes with the drill bit if drilling into fiberglass. Secure the eye straps with 1", No. 10 sheet metal screws provided.

**Step 8.** Attach the snap hook to the eye straps and adjust the hold-down straps.

**Please Note:** The process of assembling the bimini frame may cause the width of the frame to expand or retract at the mounting points. If the frame appears too wide or too narrow when you are ready to mount the top on the boat, simply mount one side and, with minimal force, push or pull the opposite side to fit the mounting point on the gunwale.

**IMPORTANT NOTE TO TOP INSTALLER/USER:**

Be sure all set screws, fittings and pre-installed hardware are tight.

**CAUTION:** Always fold down and secure bimini top in the stored position inside the storage boot when trailering your boat.

**For removal of bimini top from boat, see Dismount Instructions on reverse page.**

### Carver Bimini Top Limited Warranty

Carver guarantees that the materials and craftsmanship of their products are free from defects upon manufacturing.

The length of the warranty depends on the specific product line and material type and starts from the original date of purchase for the original owner (replacements or pro-rated replacements do not extend the warranty).

Proper installation, usage, and maintenance of the product are necessary for warranty coverage.

Please visit [www.CarverCovers.com/About-Carver/Product-Warranty-Information/](http://www.CarverCovers.com/About-Carver/Product-Warranty-Information/) for detailed and complete limited warranty information or scan QR code.



Call before returning product under warranty to receive a Return Merchandise Authorization Number (RMA#) at 864-457-5820, then send warranty claims to:

**Mailing/Shipping Address**

Carver by Covercraft Industries, LLC  
212 N. Lyles Ave., Landrum, SC 29356

Please enclose a note describing the defect and be sure to include your full name, address and phone number inside the package.

**\*If you need return assistance with your order that is less than 30 days old - please contact the original place of purchase for return authorization.**