

NEW!



Specialty Boat Covers & Bimini Tops for Boats with Ski Towers!

Features Include:

- Available in two fabrics: Performance Poly-Guard (5-Year Warranty) and Double Duck (3-Year Warranty)
- Two extra-long tower slots accommodate virtually any tower configuration (measurements provided on Page 2).
- Tower slots are completely lined with hook & loop fasteners to keep the boat fully protected.
- Unique styling conforms well to windshields.
- Reinforcements at key stress points prolong the life of the cover and keep the boat protected.
- Suitable for trailering when properly tied down.

Cover comes standard with the following:

- Heavy-Duty Boat Cover Tie Down Kit
- 2 Rope Ratchets
- Easy Installation Instructions

Fits Virtually Any Tower Configuration



TST – Tournament Ski Boats with Towers

C/L	Beam	Inboard/Outdrive	Doubleduck	Poly-Guard
Up To	Up To	Description	Order No.	Order No.
19'6"	102"	TST-19	74519D	74519P
20'6"	102"	TST-20	74520D	74520P
21'6"	102"	TST-21	74521D	74521P
22'6"	102"	TST-22	74522D	74522P
23'6"	102"	TST-23	74523D	74523P

DBT – Deck Boats with Ski Towers

C/L	Beam	Fits O/B & I/O	Doubleduck	Poly-Guard
Up To	Up To	Description	Order No.	Order No.
20'6"	102"	DBT-20	96120D	96120P
21'6"	102"	DBT-21	96121D	96121P
22'6"	102"	DBT-22	96122D	96122P
23'6"	102"	DBT-23	96123D	96123P
24'6"	102"	DBT-24	96124D	96124P
25'6"	102"	DBT-25	96125D	96125P

VST – V-Hull Runabout Boats with Ski Towers (O/B and I/O)

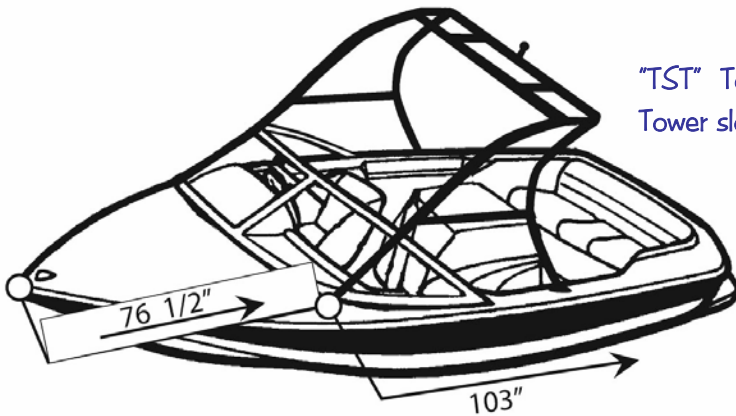
C/L	Beam	O/B	Doubleduck	Poly-Guard	I/O	Doubleduck	Poly-Guard
Up To	Up To	Description	Order No.	Order No.	Description	Order No.	Order No.
18'6"	102"	VST-18 O/B	97018D	97018P	VST-18 I/O	97118D	97118P
19'6"	102"	VST-19 O/B	97019D	97019P	VST-19 I/O	97119D	97119P
20'6"	102"	VST-20 O/B	97020D	97020P	VST-20 I/O	97120D	97120P
21'6"	102"	VST-21 O/B	97021D	97021P	VST-21 I/O	97121D	97121P
22'6"	102"	---	---	---	VST-22 I/O	97122D	97122P
23'6"	102"	---	---	---	VST-23 I/O	97123D	97123P
24'6"	102"	---	---	---	VST-24 I/O	97124D	97124P



Tie-Down Kit
and two
Rope
Ratchets
Included!

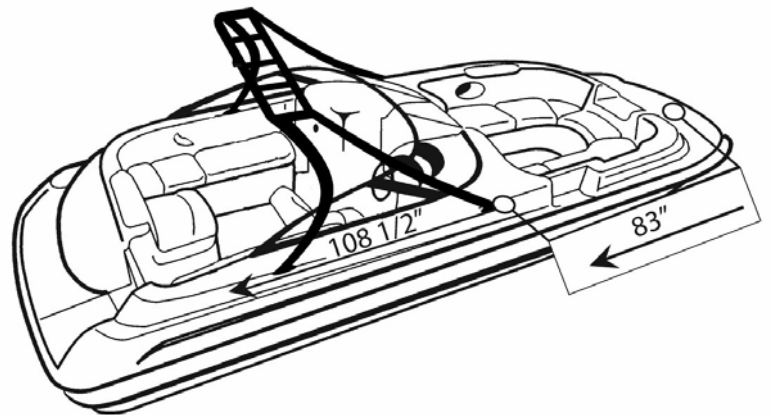
Please see
Page 2 for
helpful info
on tower slot
measurements
and Page 3 for
Bimini Tops!

The Tower Slots on Carver Boat Covers will accommodate the majority of OEM and aftermarket ski towers based on the most common range of mounting positions on the boat. However, some exceptions may apply. If your tower is mounted exceptionally fore or aft, please check the measurements below to verify that our cover will accommodate the location of your tower.

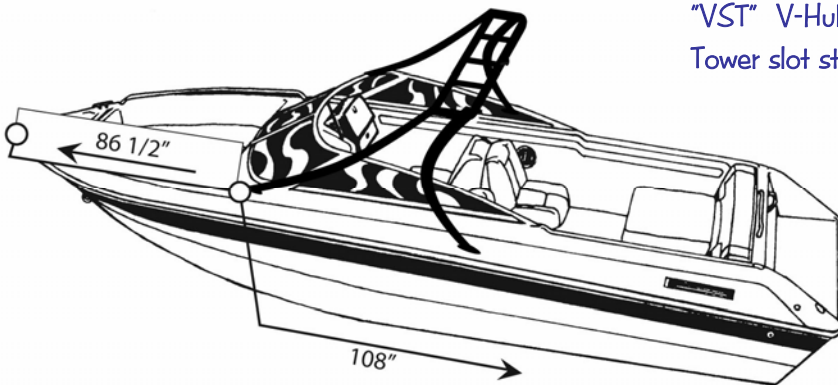


"TST" Tournament Ski Boat with Ski Tower
Tower slot starts 76-1/2" from bow and is 103" long.

"DBT" Deck Boat with Ski Tower
Tower slot starts 83" from bow and is 108-1/2" long.



"VST" V-Hull Runabout with Ski Tower
Tower slot starts 86-1/2" from bow and is 108" long.



NEW!



Tower Bimini!

3 sizes to fit virtually any tower configuration!

Top Length: 60"
Top Height: 26"
Storage Height: 43"

Available for Tube Diameters:

- 1-7/8"
- 2"
- 2-1/4"
- 2-3/8"

Size Selection is Easy! The 26" high bimini will clear the width of the tower at points "B" & "C". The bimini may be mounted 26" or more beneath these points. Determine the frame size using the measurements provided for point "A".



FRAME SIZE	WIDTH	MINIMUM	MAXIMUM
2678	A B = 60" C = 54"	74"	82"
2686	A B = 68" C = 60"	82"	90"
2694	A B = 75" C = 67"	90"	98"



Constructed of Sunbrella® Acrylic Fabric with matching zippered storage boot. 7/8" Brite Anodized Aluminum Frame with high-grade Black Nylon Fittings. 2 Aluminum Installation Clamps Included - No need to drill into the tower!

Convenient Storage Design allows top to be secured to the tower when folded back and not in use.



All tops come standard with front and rear hold-down straps. 2 upgrades are available (shown at right):

- Aluminum Single Brace (Front or Rear)
- Aluminum Front & Rear Braces.



24" Braces come complete with Installation Clamps