



Universal Tower Bimini!

3 sizes to fit virtually any tower configuration!

NO NEED TO DRILL INTO THE TOWER!

Universal Tower Clamps fit virtually all tower diameters

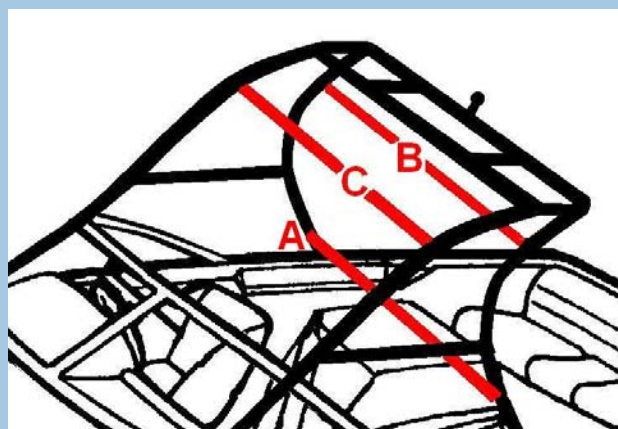
Size Selection is Easy!

All Universal Tower Tops are 26" high

	A	B	C
Order Number	Distance Between Mounting Points	Top Width Rear	Top Width Front
2678	74" to 82"	60"	54"
2686	82" to 90"	68"	60"
2694	90" to 98"	75"	67"



Constructed of Sunbrella® Acrylic fabric with matching zippered storage boot. 7/8" Brite anodized aluminum frame with high-grade black nylon fittings. 2 aluminum installation clamps included - No need to drill into the tower!



Be sure the distance between your tower legs is wider at points B & C than the measurements provided above. This will ensure that your bimini will fit between the tower legs.

Remember to measure B & C points 26" ABOVE THE MOUNTING POINT (all biminis are 26" high)!



Convenient Storage Design allows top to be secured to the tower when folded back and not in use.



All tops come standard with front and rear hold-down straps. Two upgrades are available (shown above):

- Aluminum Single Brace (Front or Rear)
- Aluminum Front & Rear Braces.

24" Braces come complete with Installation Clamps



Made in the USA

You can judge a boat by its cover!®